

Simmerring Radiamatic® HTS II made of PTFE

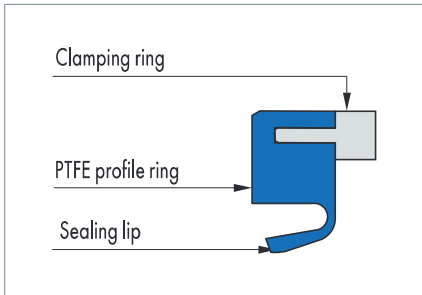


Fig. 1 Simmerring Radiamatic® HTS II made of PTFE

Product description

Simmerring for open housings. Significantly reduced lip pre-load compared to conventional geometries with high level of protection against leaks.

Product advantages

- Low friction torque
- Good dry running properties
- Low clearance volume
- Easy to clean
- Type can be easily matched to housing.

Application

Rotary pumps, agitators, gearboxes, fans, compressors, mixers, machine tools.

Material

PTFE carbon (standard quality)	Approved to KTW (drinking water) and BAM (oxygen)
PTFE Ekonol	Positively assessed by TNO, Nutrition and Food Research Laboratory (NL), for foodstuffs
Clamping ring	Usage of stainless steels

Operating conditions

Temperature range	-20 ... +200 °C
Circumferential speed	18 m/s for 0,15 MPa
Abs. pressure	0,6 MPa

When used un-pressurised, significantly higher circumferential speeds are possible. Special versions are available for alternating operation in pressure/vacuum.

Surface, hardness

Peak-to-valley heights	R_a	R_t
Housing	<1,8 µm	≤10,0 µm
Shaft, ground with no lead	0,1 ... 0,2 µm	0,5 ... 1,0 µm
Hardness of the contact area	50 ... 65 HRC, >0,5 mm depth of hardening	

The surface hardness of the running surface must be approx. 30 HRC.

Percentage contact area M_v > 50% up to max. 90% at cutting depth $c = Rz/2$ and reference line $C_{ref} = 0\%$.

Design notes

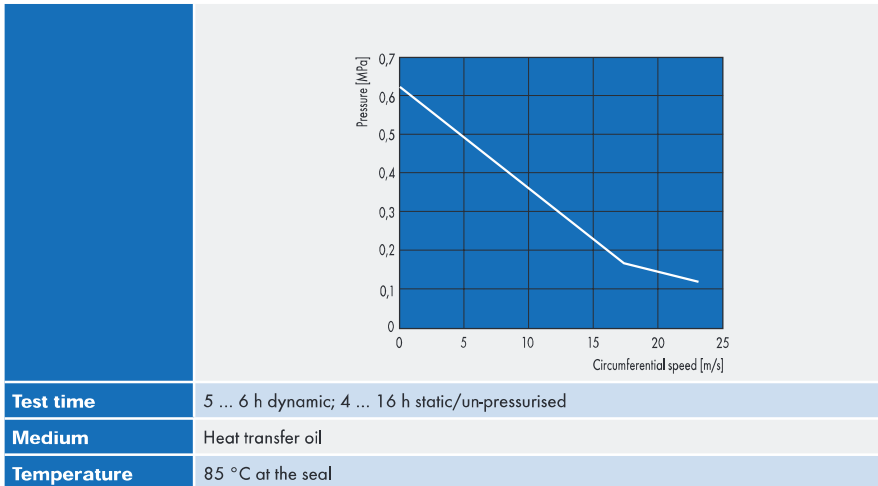
Please observe our general design notes in → Technical Manual.

Tolerances

Housing bore	Shaft	Radial shaft deflection, max.*
H8	h11	±0,05 mm

* depending on increase in rotational speed, the radial shaft deflection may need to be more tightly limited. Please enquire.

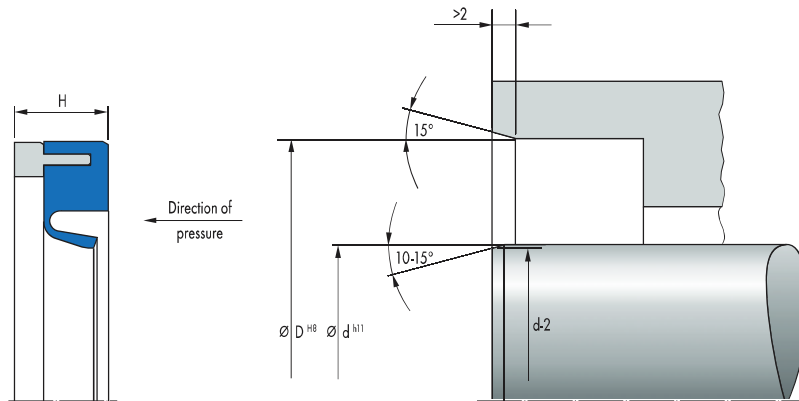
p · v Diagram



Fitting & installation

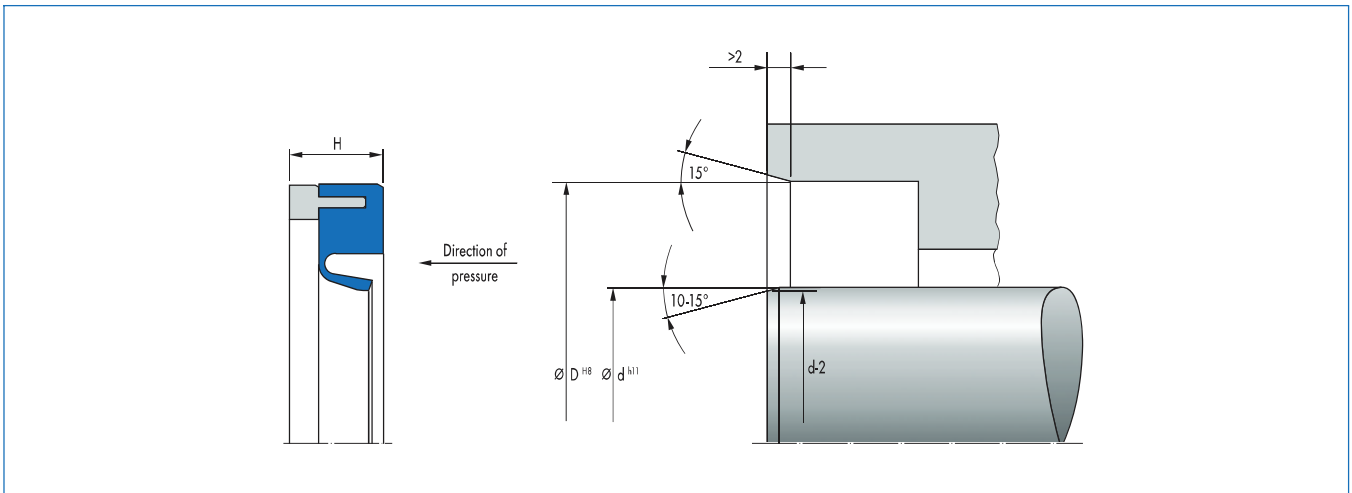
Careful fitting is a prerequisite for the correct function of the seal.
→ Technical Manual.

Article list



Width	D	L	Material	Article No.	
10	22	7	PTFE K212	24339323	D
12	22	7	PTFE K212	24339324	D
12	28	7	PTFE K212	24339325	D
15	30	7	PTFE K212	24339326	D
15	35	7	PTFE K212	24339327	D
17	35	7	PTFE K212	24339328	D
18	30	7	PTFE K212	24339329	D
20	30	7	PTFE K212	24339330	D
20	32	7	PTFE K212	24339331	D
20	35	7	PTFE K212	24339332	D
20	40	7	PTFE K212	24339333	D
22	40	7	PTFE K212	24339334	D
25	40	7	PTFE K212	24339335	D
25	42	7	PTFE K212	24339336	D
28	40	7	PTFE K212	24339337	D
28	47	7	PTFE K212	24339338	D
30	40	7	PTFE K212	24339339	D
30	42	7	PTFE K212	24339340	D
30	47	7	PTFE K212	24339341	D
30	52	7	PTFE K212	24339342	D
32	47	7	PTFE K212	24339343	D
35	47	7	PTFE K212	24339344	D
40	52	7	PTFE K212	24339345	D
42	62	8	PTFE K212	24339346	D
45	62	8	PTFE K212	24339347	D
45	65	8	PTFE K212	24339348	D
50	68	8	PTFE K212	24339349	D
50	72	8	PTFE K212	24339350	D
55	70	8	PTFE K212	24339351	D
55	80	8	PTFE K212	24339352	D
60	75	8	PTFE K212	24339353	D
60	80	8	PTFE K212	24339354	D
60	85	8	PTFE K212	24339355	D
65	85	10	PTFE K212	24339356	D
65	90	10	PTFE K212	24339357	D

B Available from stock D On request: Tool is available, delivery at short notice



Width	D	L	Material	Article No.	
70	90	10	PTFE K212	24339358	D
70	100	10	PTFE K212	24339359	D
75	95	10	PTFE K212	24339360	D
75	100	10	PTFE K212	24339361	D
80	100	10	PTFE K212	24339362	D
80	110	10	PTFE K212	24339363	D
85	100	12	PTFE K212	24339364	D
90	120	12	PTFE K212	24339365	D
95	120	12	PTFE K212	24339366	D
100	120	12	PTFE K212	24339367	D
100	130	12	PTFE K212	24339368	D
110	130	12	PTFE K212	24339369	D
125	150	12	PTFE K212	24339370	D

B Available from stock D On request: Tool is available, delivery at short notice

